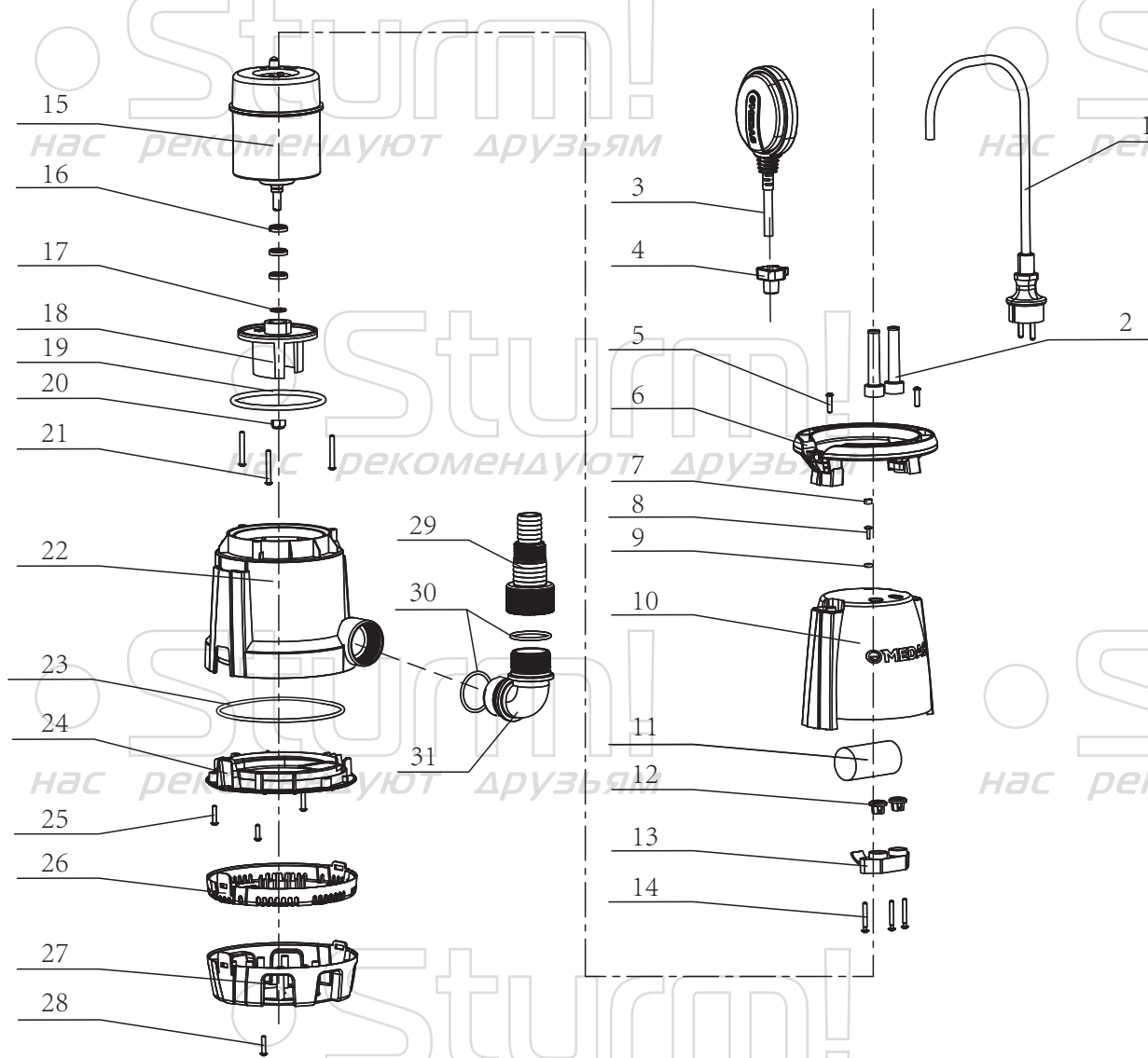


WP9745PU, WP9760PU, WP9775PU



NO.	DESCRIPTION
1	CABLE & PLUG
2	CABLE SLEEVE
3	FLOAT SWITCH
4	FLOAT SWITCH CLAMP
5	SCREW
6	ROUND HANDLE
7	CHOKE PLUG
8	SCREW
9	SEAL
10	PUMP BODY
11	CAPACITY
12	CABLE CLAMP
13	CAPACITY CLAMP
14	SCREW
15	MOTOR ASS
16	SKELETON SEAL RING
17	WASHER
18	IMPELLER
19	SEAL RING
20	NUT
21	SCREW
22	MIDDLE PUMP BODY
23	SEAL RING
24	LOW SUCTION BASE
25	SCREW
26	CLEAN WATER BASE
27	DIRTY WATER BASE
28	SCREW
29	STRAIGHT CONNECTOR
30	SEAL RING
31	BENT CONNECTOR

RU-ST20171128